

# SWISS+ GRILL



*RAISE YOUR EXPECTATIONS*

[SWISSGRILLS.COM](http://SWISSGRILLS.COM)

# SWISS+ GRILL

SWISS DESIGN   
SWISS STYLE   
SWISS QUALITY 



**Swiss Grill** is a family-owned organization and was founded by John Hartwig with his two sons, Christopher and Mathew. **The Hartwigs** created **Swiss Grill** as a token of their heritage and in the form of a cultural **icon** known for bringing families closer together all across the globe: **a Grill**. Mankind has been cooking around a fire for generations, telling stories, laughing, smiling, enjoying the outdoors while tasting the **best this world** has to offer. We believe that happiness comes from being with **family and friends**. We build incredible quality grills each and every day to help bring people together to enjoy life with one another. **Every grill** needs a family. Our family is **Swiss Grill**.



# ZURICH

*A GREAT CATCH*



With a Zurich series from SWISS GRILL in your garden you will never fish for compliments again. It's quality feel, exclusive design and expert craftsmanship this BBQ will most certainly be the envy of the neighborhood.

The 304 Stainless steel firebox emanates quality and the iridescent effect of the signature bottle opener puts a well needed smile on the hardest face.

This BBQ combines black tie elegance with backyard charm. Its the series to choose if you desire quality, functionality and style rolled into one. With its even distribution of searing heat to the low and slow roasting capability this series is unstoppable.

*Zurich, the perfect catch. Pure magic!*

304 S/S Double Skinned Roasting Hood & Side Wall.  
Center pivot space saving hood system

Commercial grade rotisserie kit and heavy duty silent motor included as standard



304 S/S 16 Gauge Tubular Burners  
304 S/S full bed of sear plates  
304 S/S lower heat baffle ensuring even distribution of heat

Ergonomic Knobs

Soft roll drawer system with click firm lockers

Lockable rubber wheels

Accurate Thermometer

Powerful Infrared Rear Burner

Small chimney allows heat retention, rapid results and efficiency

8mm Stainless Steel Grids

Grizzler Adjustable Infrared Side Burner



Fold down side shelves

Integrated towel rail

Full length 304 S/S grease tray

Signature Bottle Opener



Griddle plate is a fitted optional extra

95% Pre-assembled

Independent Electronic Ignition

Simple Conversion to Natural Gas (pg 15)

Pull-out Tank Slider



## Z650D



- 95% Pre-assembled
- Ready for propane , “easy twist” Nat Gas conversion system
- All stainless steel components
- Heavy duty 8mm stainless steel cooking grids
- Full size stainless steel warming rack
- Double skinned roasting hood and side walls
- 16 gauge stainless steel tubular burners with independent ignition ( 6 burners)
- Infra-red Rear burner
- Infra-red side burner with independent grease tray
- Flush sit side burner cover
- Standard with commercial grade stainless steel rotisserie Kit
- CSA approved
- Total heat output : 90000 BTU
- Assembled size: 91.7” x 25.2” x 46.4”
- Assembled size shelves collapsed: 63.2” x 25.2” x 46.4”
- Cooking area: 36.5” x 16.9”
- Packaged size: 60.8” x 26.9” x 50.7”
- Total weight: 301 lbs
- Neat and tidy “easy fold” side shelves
- Center pivot space saving roasting hood

## Z650



- 95% Pre-assembled
- Ready for propane , “easy twist” Nat Gas conversion system
- All stainless steel components
- Heavy duty 8mm stainless steel cooking grids
- Full size stainless steel warming rack
- Double skinned roasting hood and side walls
- 16 gauge stainless steel tubular burners with independent ignition ( 6 burners)
- Infra-red Rear burner
- Standard with commercial grade stainless steel rotisserie Kit
- CSA approved
- Total heat output : 78000 BTU
- Assembled size: 79.2” x 25.2” x 47.6”
- Assembled size shelves collapsed: 48.8” x 25.2” x 46.4”
- Cooking area: 36.5” x 16.9”
- Packaged size: 45.6” x 26.9” x 50.7”
- Total weight: 261 lbs
- Neat and tidy “easy fold” side shelves
- Center pivot space saving roasting hood

20 year  
Warranty

## Z460D



- 95% Pre-assembled
- Ready for propane , “easy twist” Nat Gas conversion system
- All stainless steel components
- Heavy duty 8mm stainless steel cooking grids
- Full size stainless steel warming rack
- Double skinned roasting hood and side walls
- 16 gauge stainless steel tubular burners with independent ignition ( 6 burners)
- Infra-red Rear burner
- Standard with commercial grade stainless steel rotisserie Kit
- CSA approved
- Total heat output : 68000 BTU
- Assembled size: 81.8” x 25.2” x 47.6”
- Assembled size shelves collapsed: 51.5” x 25.2” x 46.4”
- Cooking area: 23.5.” x 16.9”
- Packaged size: 48” x 26.9” x 50.7”
- Total weight: 252 lbs
- Neat and tidy “easy fold” side shelves
- Center pivot space saving roasting hood

## Z460



- 95% Pre-assembled
- Ready for propane , “easy twist” Nat Gas conversion system
- All stainless steel components
- Heavy duty 8mm stainless steel cooking grids
- Full size stainless steel warming rack
- Double skinned roasting hood and side walls
- 16 gauge stainless steel tubular burners with independent ignition ( 6 burners)
- Infra-red Rear burner
- Standard with commercial grade stainless steel rotisserie Kit
- CSA approved
- Total heat output : 56000 BTU
- Assembled size: 67.2” x 25.2” x 47.6”
- Assembled size shelves collapsed: 37.1” x 25.2” x 46.4”
- Cooking area: 23.5” x 16.9”
- Packaged size: 34.3” x 26.9” x 50.7”
- Total weight: 197 lbs
- Neat and tidy “easy fold” side shelves
- Center pivot space saving roasting hood

20 year  
Warranty



# ZURICH BUILT IN

## *BEARING ALL ELEMENTS*



For the complete built in package the Swiss Grill built in series is what you need. Manufactured entirely from 304 S/S it will endure the tough challenges of the yard and patio. Complete with well designed finishing plates and flanges this unit is ready to go. Delivered as propane and conversion to Natural gas in under 10 minutes. Swiss Grill also offers an additional custom fit Grill cover for the Built in series. Be sure to look at the Swiss Grill series of built in side burner, doors, drawers, combinations and slide outs; all of which are crafted in 304 S/S.

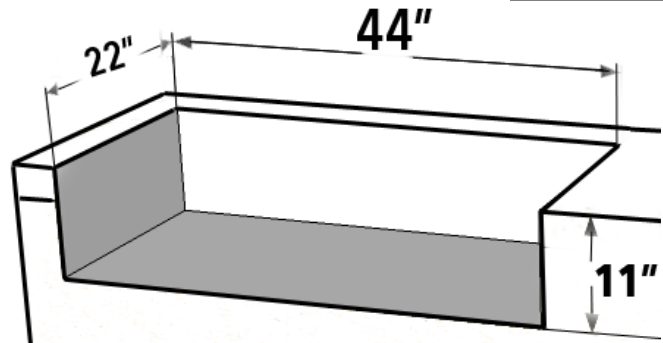
The Swiss Grill built in series is truly where quality and affordability unite.

Incredible quality, amazing style and proven results, this built in series will push the boundaries without emptying your wallet.



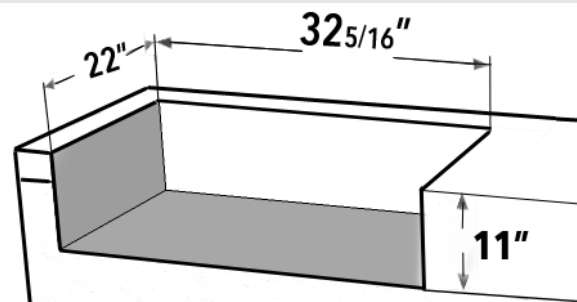
# BI-650

20 year  
Warranty



- All Stainless steel 304 S/S construction
- Pre-assembled
- Includes heavy duty back , side and fascia flanges
- Ready for propane , “easy twist” Nat Gas conversion system
- Heavy duty 8mm stainless steel cooking grids
- Full size stainless steel warming rack
- Double skinned roasting hood and side walls
- 16 gauge stainless steel tubular burners with independent ignition ( 6 burners)
- Infra-red Rear burner
- Standard with commercial grade stainless steel rotisserie Kit
- CSA approved
- Total heat output : 78000 BTU
- Cut out dimensions: 22” ( front to back / depth) x 44” ( left to right / width) x 11” ( height / grease tray to counter top )
- Cooking area: 36.5” x 16.9”
- Packaged size: 45.6” x 26.9” x 24.6”
- Total weight: 198 lbs
- Center pivot space saving roasting hood

# BI-460



- All Stainless steel 304 S/S construction
- Pre-assembled
- Includes heavy duty back , side and fascia flanges
- Ready for propane , “easy twist” Nat Gas conversion system
- Heavy duty 8mm stainless steel cooking grids
- Full size stainless steel warming rack
- Double skinned roasting hood and side walls
- 16 gauge stainless steel tubular burners with independent ignition ( 4 burners)
- Infra-red Rear burner
- Standard with commercial grade stainless steel rotisserie Kit
- CSA approved
- Total heat output : 56000 BTU
- cut out dimensions: 22” ( front to back / depth) x 32 5/16” ( left to right / width) x 11” ( height / grease tray to counter top )
- cooking area: 23.5” x 16.9”
- Packaged size: 34.3” x 26.9” x 24.6”
- Total weight: 138.6 lbs
- Center pivot space saving roasting hood

# MODULAR SYSTEM



**OUTDOOR WASH  
BASIN MODULE**  
MS-SINK  
connect to mains / hose  
32.7" x 57.5" x 22.8"  
94 lbs



**DOUBLE DOOR  
MODULE**  
MS-DD  
32.7" x 35.4" x 22.8"  
88 lbs

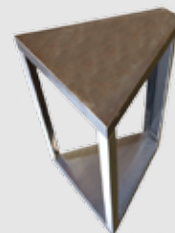


**GRIZZLER  
MODULE**  
MS-GB  
12000 BTU, Propane  
and Natural gas ready.  
17.71" x 35.43" x 22.8"  
90 lbs



**DRAWER  
MODULE**  
MS-DRAW  
32.7" x 35.4" x 22.8"  
110 lbs

The SWISS GRILL modular system offers flexibility. It's the basic principle of a DIY stainless steel kitchen. Choose your Zurich, Choose your module and Presto you have a beautiful outdoor kitchen. You can pick and choose any module that suits your unique needs. You can even put a 45 degree or 90 degree angle on the units to create a corner unit. A great way to create a quick outdoor kitchen.



**CORNER  
MODULE**  
MS-CORNER  
A 45 degree angle.  
21,65" x 35.4" x 22.8"  
22 lbs



# COMPONENTS

Drop in infrared side burner designed for built in installation in non-combustible materials. 304 Stainless Construction



Cutout Measurements:  
SGBIGZ : 25 1/4" X 20" X 11"

Infrared Side Burner

## DOORS & DRAWERS 304 STAINLESS STEEL

### Double Drawers & Single Door



Double Drawers and Single Door with integral handle and magnet catch. Crafted from 304 Stainless steel. Top & Side Mounts

Cutout Measurements:  
SGSCMB op1: 36" x 24"  
SGSCMB op2: 36" x 19"

### Propane or Trash Pull Out



High quality propane tank or trash can pull out on easy slide drawer rails. Clip close drawer attachments. Top & Side Mounts

Cutout Measurements  
Propane Pull Out:  
SGTNKPO : 17" x 24"

Trash Pull Out:  
SGTRSPO : 17" x 24"

### 3-Drawers



High quality 304 stainless steel, 3 drawers on easy slide drawer rails. Clip close drawer attachments. Top & Side Mounts

Cutout Measurements  
SGTDR : 17" X 24"

### Double Doors



Double Doors with integral handle and magnet catch. Crafted from 304 Stainless steel. Top & Side Mounts.

Cutout Measurements:  
SGDD-2719 : 27" X 19"  
SGDD-3019 : 30" X 19"  
SGDD-3619 : 36" X 19"  
SGDD-4219 : 42" X 19"  
SGDD-4819 : 48" X 19"



# AROSA

## PEAK PERFORMANCE



15 year  
Warranty

The Arosa defines new boundaries with design, function and quality being at the forefront of this Grill. The Arosa is a modern BBQ, taking tried and tested methods and making them better, this has always been at the heart of SWISS GRILL and the Arosa series accomplishes this in style.

The Arosa series comes with every conceivable item one would need on a BBQ as standard, it's designed to last and to cook evenly and to perfection, the 250 series offers an infra-red side burner (GRIZZLER) which will sear steaks to perfection, reaching incredibly high heat in under 60 seconds. The Arosa series is simply perfect. Buy now and enjoy forever.

## A250SS



- 55% Pre-assembled
- Ready for propane , "easy twist" conversion system
- All stainless steel components
- Heavy duty 8mm stainless steel cooking grids
- Full size stainless steel warming rack
- Double skinned roasting hood and Aluminum side walls
- 16 gauge stainless steel tubular burners with independent ignition ( 4 burners)
- Infra-red rear burner
- Infra-red side burner with independent grease tray
- Flush sit side burner cover
- Standard with commercial grade rotisserie Kit
- CSA approved
- Total heat output : 72000 BTU
- Assembled size: 58.4" x 26" x 47.2"
- cooking area: 28" x 17 3/4"
- Packaged size: 32 2/3" x 30" x 25 1/2"
- Total weight: 143lbs
- Center pivot space saving roasting hood

## A250B



- 55% Pre-assembled
- Ready for propane , "easy twist" conversion system
- All stainless steel cook box, burners, sear plates
- Black powder coated cart
- Heavy duty 8mm stainless steel cooking grids
- Full size stainless steel warming rack
- Double skinned roasting hood and Aluminum side walls
- 16 gauge stainless steel tubular burners with independent ignition ( 4 burners)
- Infra-red rear burner
- Infra-red side burner with independent grease tray
- Flush sit side burner cover
- Standard with commercial grade rotisserie Kit
- CSA approved
- Total heat output : 72000 BTU
- Assembled size: 58.4" x 26" x 47.2"
- cooking area: 28" x 17 3/4"
- Packaged size: 32 2/3" x 30" x 25 1/2"
- Total weight: 145lbs
- Center pivot space saving roasting hood

## A200



- 55% Pre-assembled
- Ready for propane , "easy twist" conversion system
- All stainless steel cook box, burners, sear plates
- Black powder coated cart
- Heavy duty 8mm matte enameled cast iron cooking grids
- Full size stainless steel warming rack
- Double skinned roasting hood and Aluminum side walls
- 16 gauge stainless steel tubular burners (4) w/ independent ignition
- Infra-red rear burner
- Regular ring side burner and flush sit side burner cover
- Standard with commercial grade rotisserie Kit
- CSA approved
- Total heat output : 70000 BTU
- Assembled size: 58.4" x 26" x 47.2"
- cooking area: 28" x 17 3/4"
- Packaged size: 32 2/3" x 30" x 25 1/2"
- Total weight: 136lbs
- Center pivot space saving roasting hood



3 year  
Warranty

The Icon series is where SWISS GRILL begins. The ICON is robust and will pleasure the chef for years to come. A perfect grill for those seeking an affordable sense of sophistication in the Garden.

- 55% Pre-assembled
- Ready for propane , “easy twist” conversion system
- Porcelainised enamel cook box,
- Silver powder coated cart
- Heavy duty 8mm matte enameled cast iron cooking grids
- Full size porcelainised warming rack
- Double skinned roasting hood and Aluminum side walls
- 16 gauge stainless steel tubular burners with independent ignition ( 4 burners)
- Infra-red Rear burner
- Regular ring side burner
- Flush sit side burner cover
- Standard with commercial grade rotisserie Kit
- CSA approved
- Total heat output : 70000 BTU
- Assembled size: 58.4” x 26” x 47.2”
- Cooking area: 28” x 17 3/4”
- Packaged size: 32 2/3” x 30” x 25 1/2”
- Total weight: 138lbs
- Center pivot space saving roasting hood

## I500TS



# ACCESSORIES



Stainless Steel Wok



Large Fish Turner



BBQ Chicken Roaster



Professional Tool Kit



Stainless Steel Smoker Box



Stainless Steel Grid Scrubber



Basting Bowl & Brush



Outdoor Grill Covers



Griddle's Friend

## NATURAL GAS CONVERSION

1: Remove Burner



2: Locate & Remove Orifice Behind Burner



3: Replace Burner & Install New Hose

That's it!



Natural Gas Conversion Kit



Griddle Plates

### Watch Conversion Video

<http://www.youtube.com/watch?v=tK6xBaxfoIU>

This video will walk you through step by step on how to conversion to natural gas.

\*\* Infrared rear & side burner both have identical orifices to above. Ensure you remove these as well.

# SWISS+ GRILL

*CHEERS!*



[www.SwissGrills.com](http://www.SwissGrills.com)

949 - 491 - 8707

The Swiss Grill Family has pledged to help our customers and customers enjoy the best that our family has to offer. We invite you to call us, send us messages, share pictures and recipes on Facebook, and, of course, reach out to us if you need some assistance to enjoy your grill, and accessories, to the fullest.

Swiss Grills International 949-491-8707

2182 Alton Parkway, Irvine, CA 92606 Made in PRC