

Eldorado.

The Foundation for Memorable Spaces.



A HEADWATERS COMPANY

Believability matters...



Sequoia Rustic Ledge (pg. 55) with a dry-stack grout technique.

© 2010 Jeffrey Jacobs Photography Inc.

Welcome to **Eldorado.**



Where Believability Matters. For over 40 years, Eldorado Stone has demonstrated an undeniable passion for creating authentic products that not only elevate quality and design, but also attainability. *What memorable space will you create?*





Inspiration Gallery 6

Eldorado Stone® 40

Nationwide Profiles 44

Eastern Profiles 58

Western Profiles 62

Northwestern Profiles 68

Architectural Accents & Accessories 72

Eldorado Brick® 76

Nationwide Profiles 78

Eldorado Fireplace Surrounds 80

Fireplace Surrounds 84

Mantel Shelves 92

Hearth Stones & Riser Blocks 94

Eldorado Outdoor™ 96

Cabinets & Accessories 100

Fireplaces & Fire Pits 104

Fire Bowls 108

Signature Kitchens 112

Eldorado Profile Sizes 116



Inspiration Gallery

Inspiration comes to us in many forms or, in this case, many textures. Explore the work of world-class architects and designers as they unveil their vivid interpretation of style with Eldorado.



Nantucket Stacked Stone (pg. 57) with a dry-stack grout technique.

*Cognac Country Rubble (pg. 48)
with an overgrout technique.*





The Soho Boutique Eldorado Fireplace Surround in Oyster Shell with Honed Finish (pg. 91) shown installed with Eldorado Stone Birch LedgeCut33 (pg. 51) using a dry-stack grout technique.





Create a memorable space that is attainable, purposeful and, most of all, believable. Visit the online "before & after" gallery to download a CandleWall idea book.



AFTER
CandleWall installed with Sanibel CoastalReef (pg. 45) using a dry-stack grout technique.



*Buckskin Mountain Ledge
(pg. 65) with a dry-stack
grout technique.*



Willow Shadow Rock (pg. 61) with a dry-stack grout technique.



Bracciano RomaBrick (pg. 78) with an overgrout technique.



Orchard Cypress Ridge (pg. 48) and Cassis Modena Brick (pg. 78) with an overgrout technique.



*Alderwood Stacked Stone
(pg. 57) with a dry-stack
grout technique.*



Sequoia Rustic Ledge (pg. 55) with a dry-stack grout technique (both images).





Santa Maria Cypress Ridge (pg. 48) with an overgrout technique.



Autumn Leaf RoughCut (pg. 54) with an overgrout technique.

The Dylan Eldorado Fireplace Surround in Aged Teak (pg. 88) with Honed Finish.





*Castello RomaBrick (pg. 78)
with a standard grout technique.*

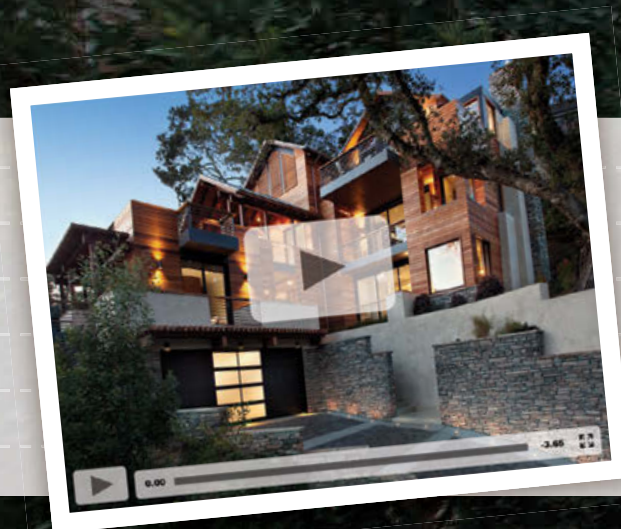


*Dry Creek Stacked Stone (pg. 57)
with a dry-stack grout technique.*



Veneto Fieldedge (pg. 50) with an overgrout technique.

Montecito Cliffstone (pg. 47) with a dry-stack grout technique.



See how an inspired mix of glass, steel & Eldorado Stone came together. Visit the online video gallery at eldoradostone.com/hillside





Oyster Cut Coarse Stone (pg. 45) with a dry-stack grout technique.



Meseta Fieldledge (pg. 50) & Lucera Hillstone (pg. 50) blend with an overgrout technique.

Eldorado Stone.

The Most Believable Architectural Stone Veneer in the World.®

Stone transcends all design styles and expresses warmth unlike any other building material. It is remarkably full of life, character and personality. It has the unique ability to transport us to a different time and place, recapturing our connection with nature.



Orchard Cypress Ridge (pg. 48) & Cassis ModenaBrick (pg. 78) with an overgrout technique.
© 2010 Eric Figge Photography, Inc.



Believability is at the very core of our company philosophy. For more than 40 years, Eldorado Stone has been refining the art of architectural stone veneer. When you set your eyes on Eldorado Stone, it looks authentic, natural and most of all, beautiful.

Every piece of Eldorado Stone is cast from a special mold of an actual natural stone. Our craftsmen sort through tons of stone, piece by piece, selecting only the rocks that complement each other and have just the right shape, texture, size and detail. The stone is hand-finished by highly-trained Eldorado artisans using a variety of natural mineral oxides which infuse the surface with rich, authentic tones.

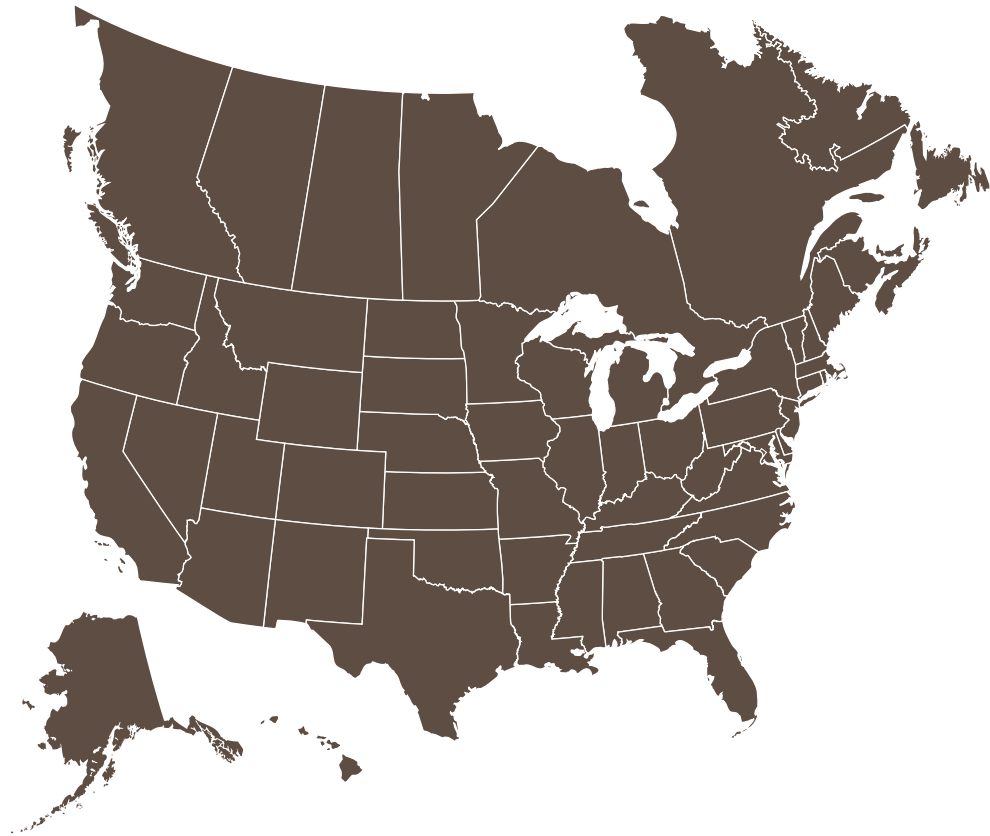


When you take a closer look at Eldorado Stone you will see the unmatched depth and variation of colors; hints of rust, mossy greens, russet browns and golden umbers.

To get the whole story on how we create the world's most believable architectural stone veneer, visit eldoradostone.com/SeeAndBelieve



Nationwide Stone Veneer



Nationwide profiles are among our most popular stones and are available coast to coast, transcending geography. Whether you're remodeling a farmhouse in Pennsylvania, building a lodge in Colorado, restoring a ranch in Arizona or renovating a coastal home in California, there's a Nationwide profile—or combination of Nationwide profiles—for the job.

For product availability outside the Continental United States & Canada, visit www.eldoradostone.com to find your local distributor.

NATIONWIDE	▶Pg. 44-57
EASTERN	▶Pg. 58-61
WESTERN	▶Pg. 62-67
NORTHWESTERN	▶Pg. 68-71

Ashlar



Santa Barbara Ashlar

CoastalReef™



Pearl White CoastalReef



Sanibel CoastalReef

Cut Coarse Stone™



Oyster Cut Coarse Stone



Bluffstone™



Bodega Bluffstone



Coos Bay Bluffstone



La Plata Bluffstone



Mineret Bluffstone



Prescott Bluffstone

Cliffstone®



Cambria Cliffstone



Lantana Cliffstone



Manzanita Cliffstone



Mesquite Cliffstone



Montecito Cliffstone



Country Rubble™



Bella Country Rubble



Cognac Country Rubble



Capri Country Rubble



Palermo Country Rubble

Cypress Ridge™



Catania Cypress Ridge



Orchard Cypress Ridge

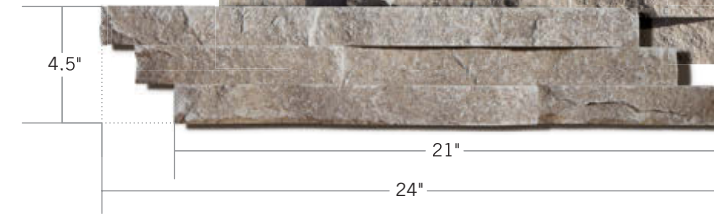


Countryside Cypress Ridge



Santa Maria Cypress Ridge

European Ledge™



Cottonwood European Ledge

European Ledge creates the perfect fusion between old-world stonework and modern design. The 1.5" precision-cut ledge stones are molded into 4.5" h x 24" w panels. The stair stepped edge creates a tight-fit, eliminating unsightly vertical joints.

Explore the innovative details of our newest profile, European Ledge... a modern stone fusion. Visit the online video gallery to learn more at eldoradostone.com/euroledge



Fieldledge®



Andante Fieldledge



Meseta Fieldledge



Padova Fieldledge



Veneto Fieldledge

Hillstone®



Bergamo Hillstone



Lucera Hillstone

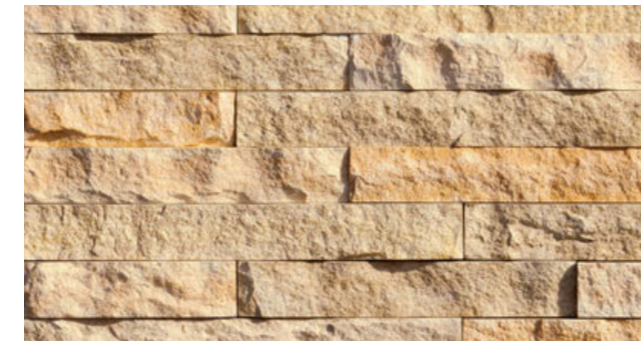


Verona Hillstone

LedgeCut33™



Birch LedgeCut33



Golden Oak LedgeCut33



Sage LedgeCut33

Limestone



San Marino Limestone



Savannah Limestone



York Limestone



Mountain Ledge



Bitterroot Mountain Ledge



Durango Mountain Ledge



Mesa Verde Mountain Ledge



Sierra Mountain Ledge



Yukon Mountain Ledge

Mountain Ledge Panels



Pioneer Mountain Ledge Panels



Russet Mountain Ledge Panels



Silverton Mountain Ledge Panels



Whiskey Creek Mountain Ledge Panels

Mountain Ledge Panels are panel systems designed to facilitate ease and increase speed of installation on areas of greater expanse or height.



Join us on Facebook:
www.facebook.com/eldoradostone



River Rock



Colorado River Rock



Rio Grande River Rock



Yakima River Rock

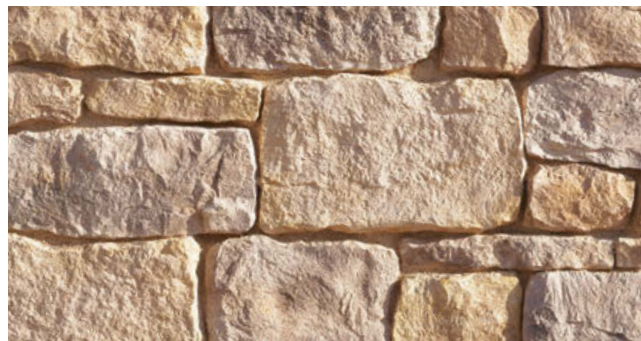
RoughCut®



Autumn Leaf RoughCut



Moonlight RoughCut



Vineyard Trail RoughCut



Wheatfield RoughCut

Rustic Ledge®



Cascade Rustic Ledge



Clearwater Rustic Ledge



Sawtooth Rustic Ledge



Sequoia Rustic Ledge

Top Rock



Dakota Top Rock



La Quinta Top Rock



Montana Top Rock



Shadow Rock



Bronze Shadow Rock



Chesapeake Shadow Rock



Shenandoah Shadow Rock



Somerset Shadow Rock

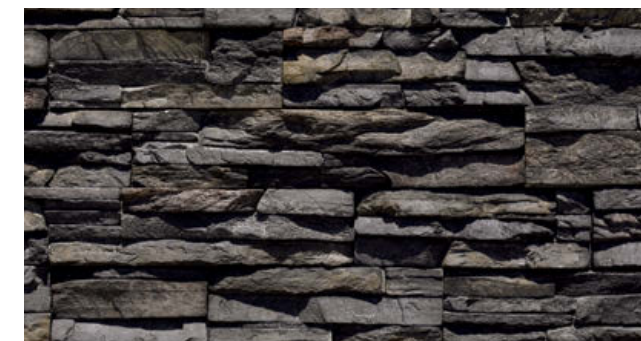


Teton Shadow Rock

Stacked Stone



Alderwood Stacked Stone



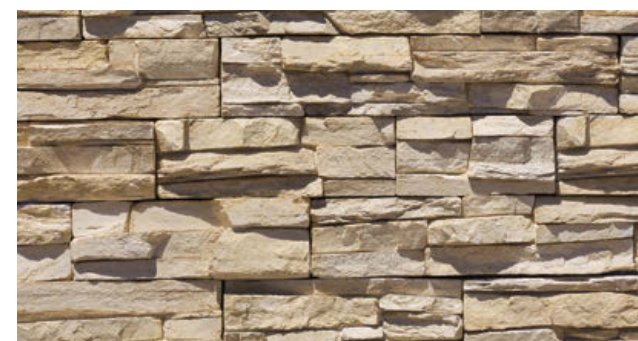
Black River Stacked Stone



Castaway Stacked Stone



Chapel Hill Stacked Stone



Dry Creek Stacked Stone



Nantucket Stacked Stone



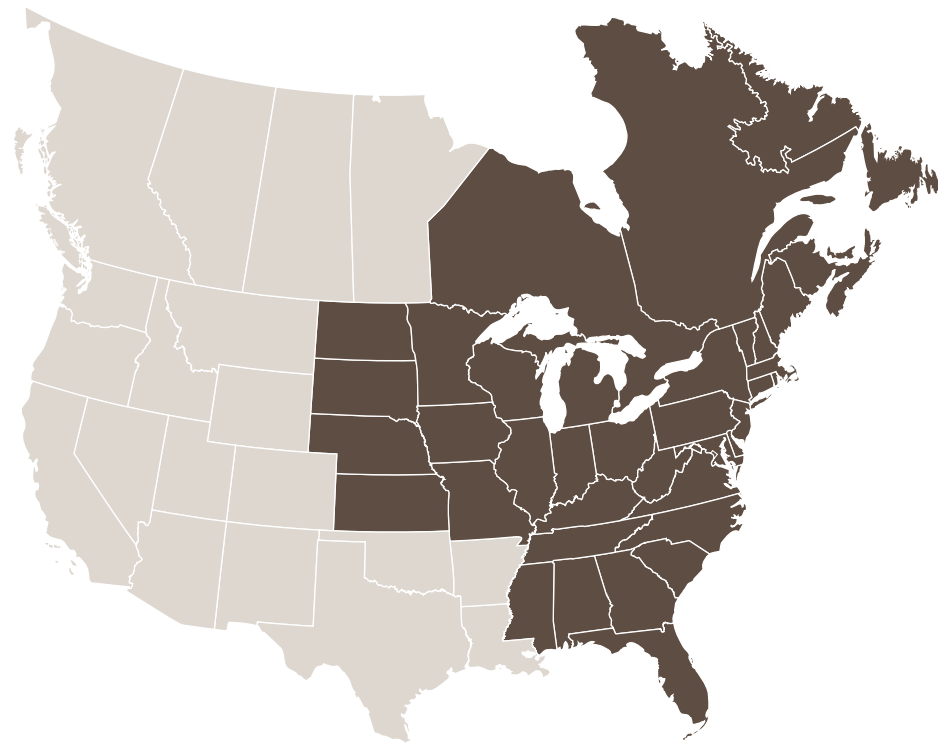
Pagosa Springs Stacked Stone



Santa Fe Stacked Stone



Eastern Regional Stone Veneer



- | | |
|----------------------|----------------|
| Alabama | Missouri |
| Connecticut | Nebraska |
| Delaware | New Hampshire |
| District of Columbia | New Jersey |
| Florida | New York |
| Georgia | North Carolina |
| Illinois | North Dakota |
| Indiana | Ohio |
| Iowa | Pennsylvania |
| Kansas | Rhode Island |
| Kentucky | South Carolina |
| Maine | South Dakota |
| Maryland | Tennessee |
| Massachusetts | Vermont |
| Michigan | Virginia |
| Minnesota | West Virginia |
| Mississippi | Wisconsin |

The Eastern Region has a rich tradition of building with stone since colonial times. The abundance of raw materials found in the region benefited the skilled stone masons who immigrated here, particularly those from Scotland, Germany, Italy and the Scandinavian countries. The Eastern Regional Profiles—*Mountain Ledge*, *Country Rubble*, *Limestone*, *Shadow Rock*, among others—respect the shapes, textures and color palettes of the region.

For product availability outside the Eastern United States & Eastern Canada, visit www.eldoradostone.com to find your local distributor. Regional profiles available in states & provinces indicated above; additional shipping charges apply if ordered outside this region.

NATIONWIDE	►Pg. 44-57
EASTERN	►Pg. 58-61
WESTERN	►Pg. 62-67
NORTHWESTERN	►Pg. 68-71



Olive Grove Bluffstone



Woodlands Bluffstone



Eastridge Castle Stone



Banff Springs Cliffstone



Millstream Country Rubble



River Gorge Country Rubble

Bluffstone™

Cliffstone™

Country Rubble™



Limestone



Bridgeport Limestone



New Haven Limestone

RoughCut™



Brunello RoughCut

Stacked Stone



Dark Rundle Stacked Stone

Mountain Ledge



Chestnut Ridge Mountain Ledge



Asheville Mountain Ledge



Crescent Peak Shadow Rock

Shadow Rock



Willow Shadow Rock



Charleston Mountain Ledge



Lexington Mountain Ledge

Weather Edge™



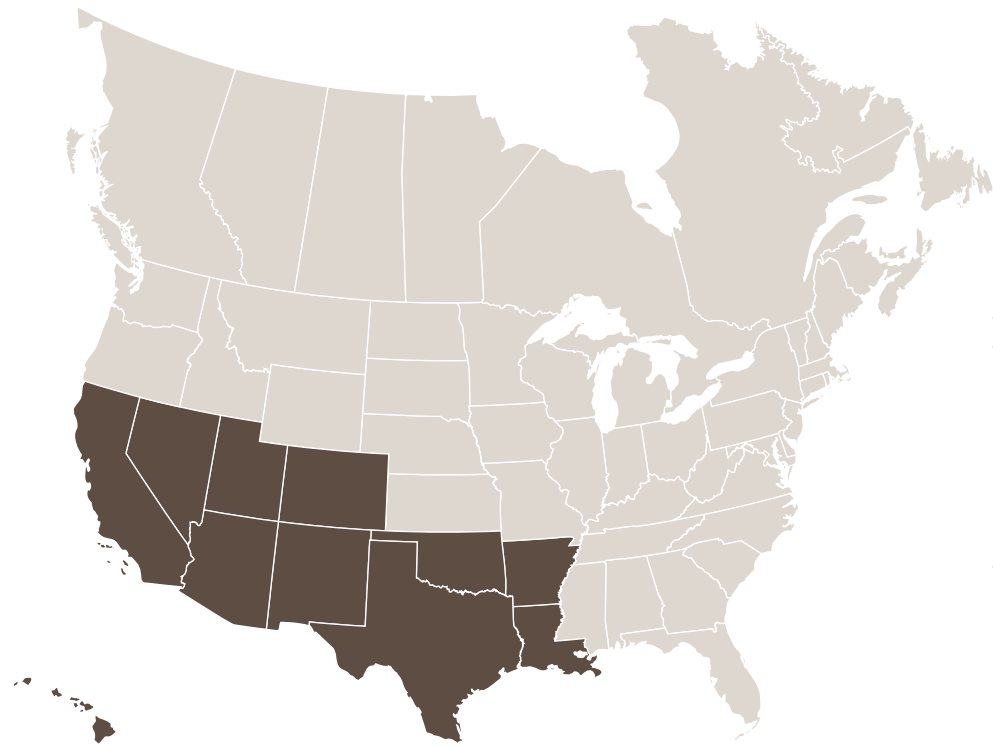
Amber Falls Weather Edge



Walnut Ridge Mountain Ledge



Western Regional Stone Veneer



Arizona
Arkansas
California
Colorado
Hawaii
Louisiana
Nevada
New Mexico
Oklahoma
Texas
Utah

Think of the American West and what comes to mind: buildings made of stone that almost blend in with the landscape, sprawling ranch-style homes, coastal cottages and Spanish Revival architecture with breezeways that welcome the elements. Western Regional Profiles capture the shapes, textures and distinctive color palettes found in this diverse landscape.

For product availability outside the Western United States, visit www.eldoradostone.com to find your local distributor. Regional profiles available in states & provinces indicated above; additional shipping charges apply if ordered outside this region.

NATIONWIDE	►Pg. 44-57
EASTERN	►Pg. 58-61
WESTERN	►Pg. 62-67
NORTHWESTERN	►Pg. 68-71

Coarsed Stone™



Santa Barbara Coarsed Stone

Coastal Ledge™



Santa Cruz Coastal Ledge

Cobblestone



Coal Canyon Cobblestone

Country Rubble™



Bordeaux Country Rubble



Tuscany Country Rubble



Fieldledge®



Umbria Fieldledge

Hillstone®



Molano Hillstone



Buckskin Mountain Ledge

Mountain Ledge



Shasta Mountain Ledge

Limestone



Austin Cream Limestone



Castillo Limestone



Pinetop Rustic Ledge

Rustic Ledge®



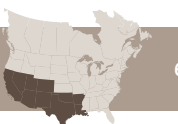
Saddleback Rustic Ledge



Shilo Limestone



Saratoga Rustic Ledge



Stacked Stone



Desert Shadow Stacked Stone



Mountain Blend Stacked Stone



Slate Gray Stacked Stone

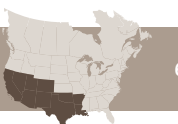
Weather Edge™



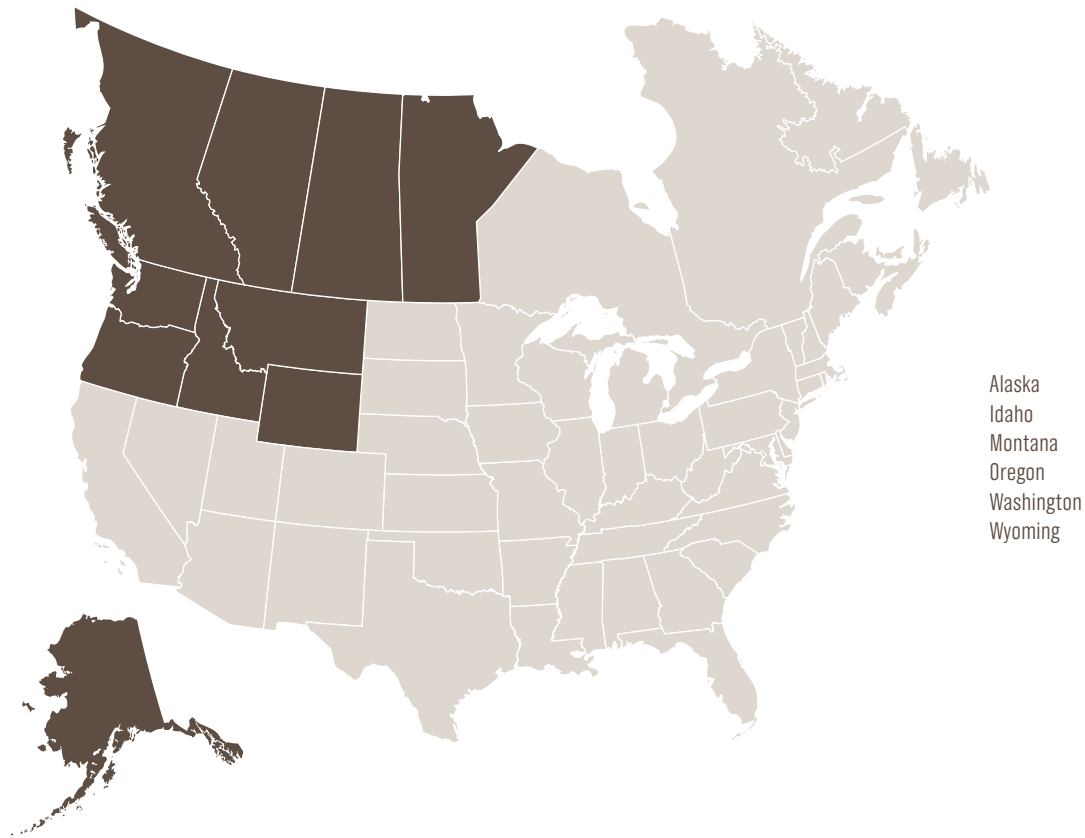
Napa Valley Weather Edge



Custom Coastal Ledge (pg. 63) with a dry-stack grout technique.



Northwestern Regional Stone Veneer



Alaska
Idaho
Montana
Oregon
Washington
Wyoming

The geology of the Pacific Northwest is generally characterized by dark, rich tones. These deep hues set against the lush green landscape make for an inviting natural contrast. The Northwestern Regional profiles honor the architecture by producing stone types respective of the region.

For product availability outside the Northwestern United States & Western Canada, visit www.eldoradostone.com to find your local distributor. Regional profiles available in states & provinces indicated above; additional shipping charges apply if ordered outside this region.

NATIONWIDE	▶Pg. 44-57
EASTERN	▶Pg. 58-61
WESTERN	▶Pg. 62-67
NORTHWESTERN	▶Pg. 68-71



K-West Broken Top



Willamette Broken Top



Banff Springs Cliffstone



Coal Canyon Cobblestone



Mount Saint Helens Limestone



Black Bear Mountain Ledge



Mountain Ledge Panels



Bow Valley Mountain Ledge Panels



Warm Springs Mountain Ledge Panels

RoughCut



Brunello RoughCut

Stacked Stone



Dark Rundle Stacked Stone



Slate Gray Stacked Stone



Coal Canyon Cobblestone (pg. 69) with a standard grout technique shown with Architectural Accents Chiseled Edge Column & Wall Caps in Smoke (pg. 74).



Architectural Accents & Accessories

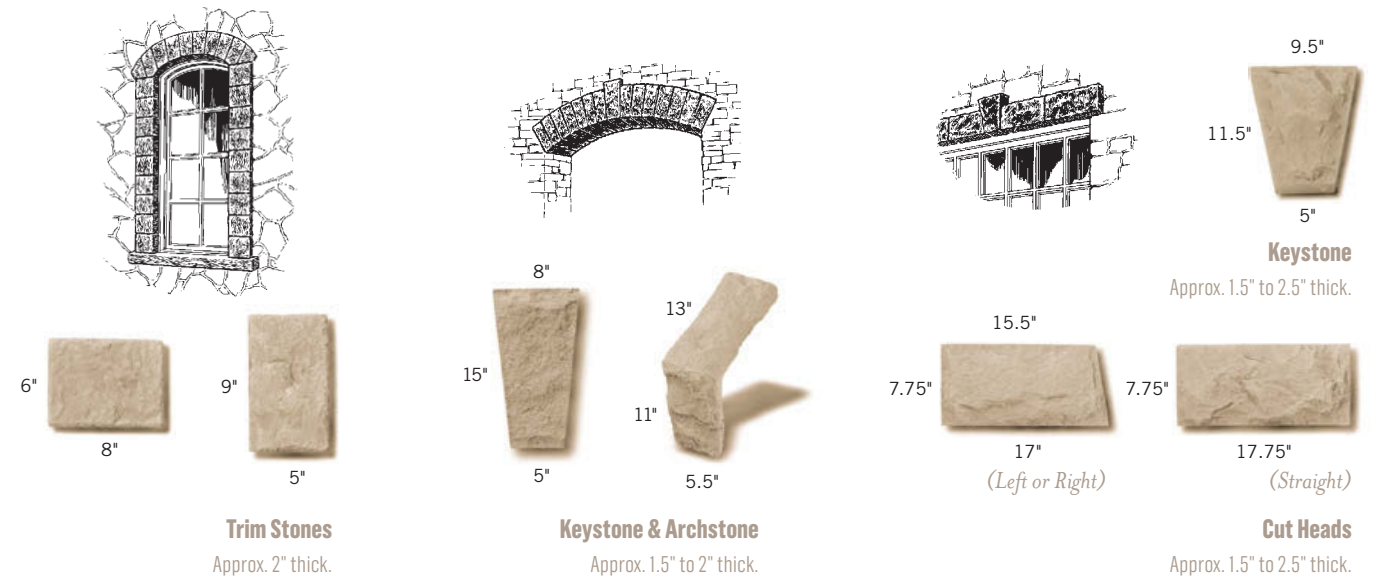
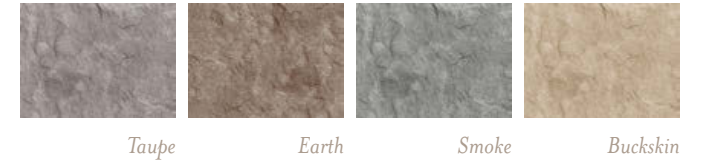


It's the final details that make an ordinary project an extraordinary one. Architectural Accents from Eldorado Stone are no exception to this philosophy. Each accent has been created by hand to meticulously emphasize unique color hues and detailed sculptural characteristics... the essence of true masonry craftsmanship.



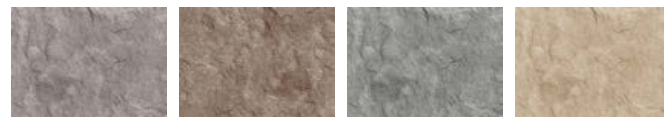
Ashlar Accents

Ashlar Accents have been sculpted to create uniform edge details. The consistent shape simplifies the installation process, while providing the characteristics and texture of natural stone. Available in Taupe, Earth, Smoke & Buckskin.



Chiseled Edge Accents

Historically, masons have worked with natural stone to create unique accent pieces to finalize their projects. Chiseled Edge Accents feature a hand-dressed appearance with a uniform, yet rustic detail. Available in Taupe, Earth, Smoke & Buckskin.



Taupe Earth Smoke Buckskin



Wainscot Sill 90°

8" L (both exterior sides) × 3" D × 2" H (face) to 2.5" H (back)



Wainscot Sill 135°

7.5" L (both exterior sides) × 3" D × 2" H (face) to 2.5" H (back)



Wainscot Sill Straight

19.75" L × 3" D × 2" H (face) to 2.5" H (back)



Hearthstone

20" L × 20" D × 2" H



Peaked Wall Caps

Available in 2 sizes:
20" × 16" (2" H sides with a 3.5" H peak)
20" × 12" (2.375" H sides with a 3.5" H peak)



Textured Column Caps

Cap peak approx. 5.5" H.
Available in 3 sizes with or without hole:
26" × 26" (2.5" H sides)
22" × 22" (2.5" H sides)
18" × 18" (2.5" H sides)

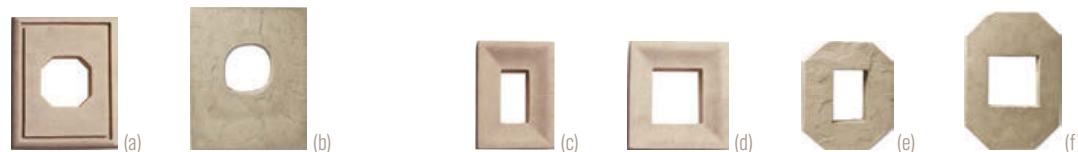


Column & Wall Caps

Column Caps approx. 2.5" thick. Available in 2 sizes:
30" × 24"
24" × 24"
Wall Caps approx. 2.25" thick. Available in 3 sizes:
37" × 12"
37" × 9"
37" × 6"

Utility Accents

Utility Accents create a simple yet decorative way of transitioning from the utility to the stone or brick veneer. Available in Taupe, Earth, Smoke & Buckskin (see colors above).



Lightboxes

Approx. 1.75" thick.
(a) 8" × 10"
(b) 9.5" × 11"

Electrical Boxes

(c) 6" × 8" (approx. 2" thick)
(d) 8" × 8" (approx. 2" thick)
(e) 8" × 8" (approx. 1.75" thick)
(f) 8" × 12" (approx. 1.75" thick)

Snapped-Edge Accents

Snapped-Edge Accents feature irregular edge details and random undulations that look as if they had been hand chiseled on location. Additionally, each accent features subtle yet contrasting color highlights on the surface and edge details for the ultimate natural appearance. Wainscot Sills have a recessed drip edge on the underside to prevent water from returning behind the stone or dripping onto the face of the stone wall. Available in Walnut, Pewter & Sand.



Walnut Pewter Sand



Column Caps

Available in 3 sizes:
24" L × 24" D × 1.5" H
22" L × 22" D × 1.5" H
18" L × 18" D × 1.5" H



Wall Caps

Available in 2 sizes:
24" L × 14" D × 1.5" H
18" L × 14" D × 1.5" H



Hearthstone

20" L × 20" D × 1.5" H



Wainscot Sill

19.75" L × 3" D × 1.5" H (face) to 2.5" H (back)

CraftShield™

Preserving the Art of Masonry. CraftShield is a protective treatment that preserves the intended artistry and beauty of architectural stone veneer while safeguarding the surface from the elements.

Designed for use on concrete and most masonry surfaces including Eldorado Stone and Eldorado Brick veneer, CraftShield goes on wet and dries invisible to the eye.

It's low odor and alkaline-stable formula is ideal for both exterior and interior applications and offers 10-Year Protection to help resist staining, spalling, cracking and other damage related to water intrusion.



CraftShield

Gallon covers 150-200 sq. ft. of surface area



Eldorado Brick.

A Chunk of History.

Eldorado Brick isn't just a great building material, it's a chunk of history. Molded from centuries-old European dwellings, every Eldorado Brick has the distinct earthen texture and Old-World character that captures the eye and warms the heart. Eldorado Brick transports you to another place in time.



Bracciano RomaBrick (pg. 78) with an overgrout technique.

ModenaBrick®



Cassis ModenaBrick

RomaBrick®



Bracciano RomaBrick



Brolio RomaBrick



Castello RomaBrick

TundraBrick®



Hartford TundraBrick



Riverbed TundraBrick

ViaBrick®



Cortona ViaBrick

See how the combination of Eldorado Stone & Brick capture the warmth and elegance of old-world Italian architecture. Visit the online gallery at eldoradostone.com/hideaway



Eldorado Fireplace Surrounds.

Forged with the Heritage
of Craftsmanship.™

Consider the Fireplace... quite possibly one of the most dramatic spaces in any home. With the unique power to mesmerize, a fire draws us closer in to its warmth. Such beauty and drama beckons an elegant frame *forged with the Heritage of Craftsmanship.*



The Palacio in Antique Castello (pg. 90) installed with Eldorado Stone Lucera Hillstone (pg. 50) using an overgrout technique.



Eldorado Fireplace Surrounds are designed to bring elegance and warmth to a wide variety of architectural styles. It all begins with a proprietary blend of limestone aggregates, minerals, natural pigments and special bonding agents. The material is hand applied layer by layer into the mold, creating natural color and texture variations, guaranteeing no two surrounds are exactly alike. Once the surround is removed from the mold, our skilled artisans hand-finish each piece through a four-step finishing process. The distinctive one of a kind process creates a highly authentic appearance which would normally only be found with natural carved limestone.

Eldorado Fireplace Surrounds are available in four colors and two finishes including Honed and Travertine. For those who admire an even



more distressed and aged appearance, Eldorado offers a distinctive color and finish called Antique Castello. Eldorado artisans masterfully distress the edge and surface details to recreate the weathered appearance of surrounds often found in classical architecture.



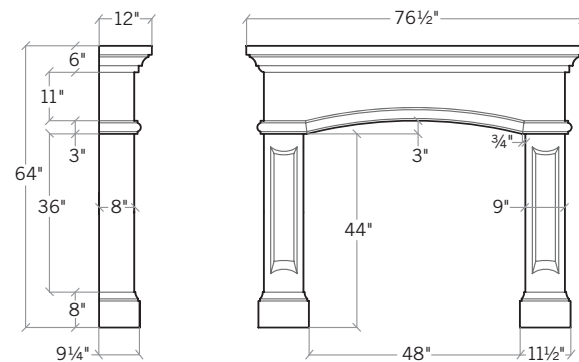


The Annalisa in Summer Wheat with a Honed Finish.

THE ANNALISA™

12" w × 76.5" w × 64" h

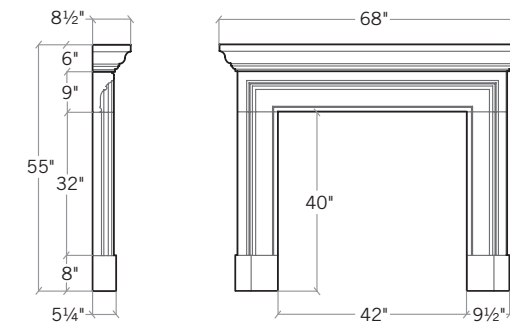
Elegance and beauty adorn The Annalisa with its gently sloping arch and detailed carvings. Its scale is designed for larger rooms, perfectly suited for elegant and casual settings alike.



THE BRYANT™

8.5" w × 68" w × 55" h

The Bryant is an elegant surround that transcends all design styles with multiple layers of intricate, yet linear carvings. The base blocks further enhance its stature and solid stance.

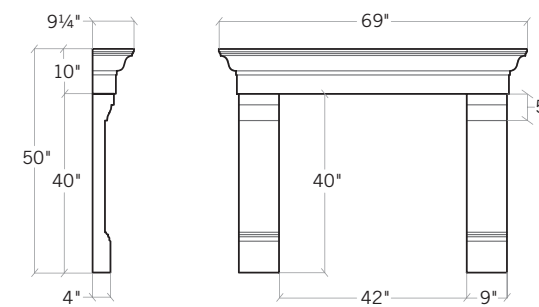


The Bryant in Summer Wheat with Travertine Finish.

THE FLORENTINA™

9.25" w × 69" w × 50" h

The simple and classical shape creates the perfect frame for a wide variety of fireplace settings. The 9" mantel depth provides ample area to stylize to your specific interior design.

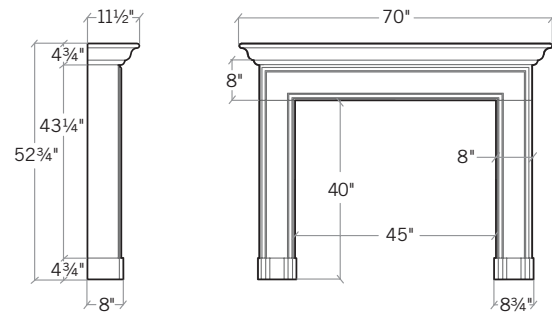


The Florentina in Summer Wheat with Travertine Finish.

THE CARMELA™

11.5" d × 70" w × 52.75" h

The Carmela is layered with visual interest beginning with its plinth block foundation and linear legs framed with a unique bull nose detail. The 11.5" depth mantel provides ample space for decor.



The Carmela in Oak Barrel with Honed Finish.

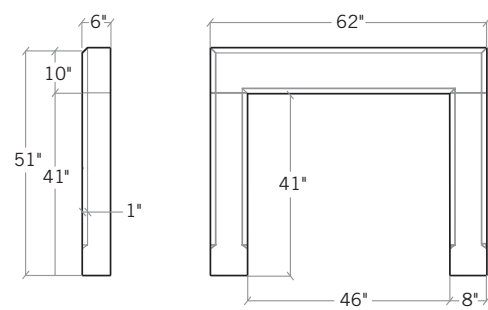


The Dylan in Aged Teak with Honed Finish.

THE DYLAN™

6" d × 62" w × 51" h

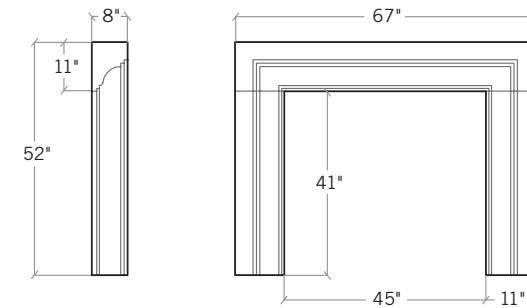
The modern sophistication of The Dylan is evident with its extremely clean lines. The surrounding beveled edges create a distinctive architectural detail.



THE GIADA™

8" d × 67" w × 52" h

The pleasing blend of clean lines and finite details invite this surround into both contemporary and transitional settings. The 8" monolithic depth gives way to the deeply carved and symmetrical properties.

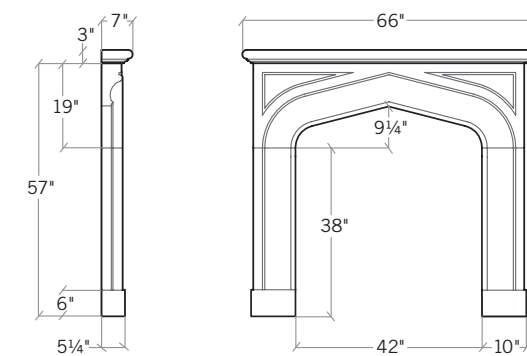


The Giada shown in Oyster Shell with Travertine Finish.

THE MARRAKESH™

7" d × 66" w × 57" h

The intricate carvings and vaulted opening of The Marrakesh engages the architectural vernacular of both Spanish Revival and elements of Moorish influence.



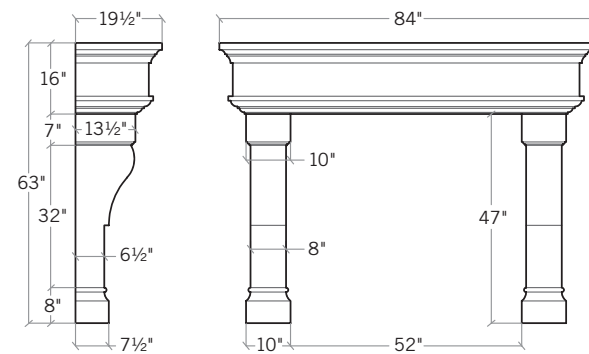
The Marrakesh shown in Oak Barrel with Travertine Finish.



THE PALACIO™

19.5" D × 84" W × 63" H

The grandiose form of The Palacio will draw you closer with its impressive size and bold stature. The commanding presence will easily become the focal masterpiece of any luxurious space.

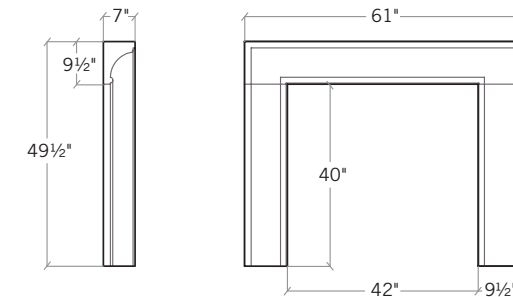


The Palacio shown in Antique Castello.

THE SOHO BOUTIQUE™

7" D × 61" W × 49.5" H

The Soho Boutique is smaller in scale, yet its clean lines imply a sense of luxury and timeless style.



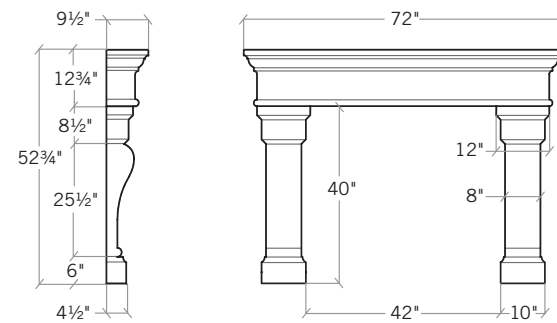
The Soho Boutique shown in Summer Wheat with Honed Finish.



THE SOFIA™

9.5" D × 72" W × 52.75" H

The understated elegance of The Sophia combines both straight lines and flowing curves. The long-established shape works well with traditional settings.

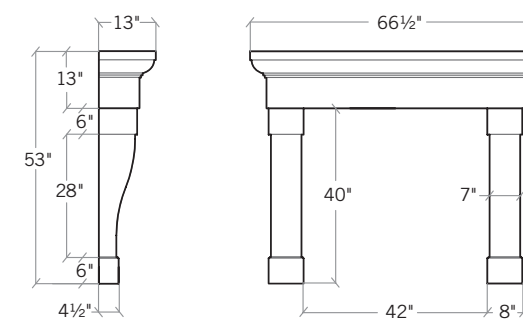


The Sofia shown in Summer Wheat with Honed Finish.

THE VALENTINA™

13" D × 66.5" W × 53" H

The Valentina will invite a sense of rustic Italian charm into any home. The robust 13" deep mantel paired with two gently sloping pilasters complete its evident presence.



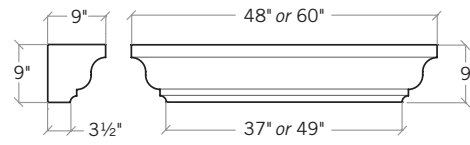
The Valentina shown in Antique Castello with Travertine Finish.

Mantel Shelves



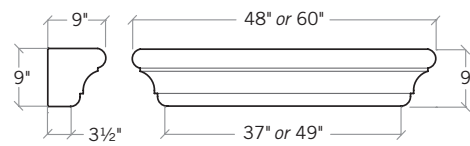
THE ANGELO™

Sweeping curves make this shelf an elegant mantel to grace any home. 9" h x 9" d in either 48" or 60" lengths. Available in all colors and finishes.



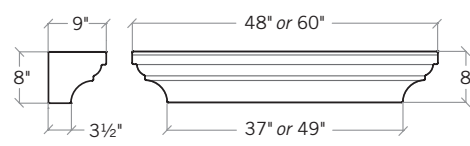
THE CARLOTTA™

Rounded corners and long curves create a classic yet distinct mantel. 9" h x 9" d in either 48" or 60" lengths. Available in all colors and finishes.



THE MARTINO™

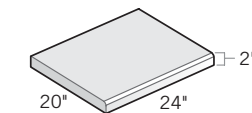
Strong lines and crisp curves make this versatile shelf especially stunning in a modern home. 8" h x 9" d in either 48" or 60" lengths. Available in all colors and finishes.



The Angelo in Oak Barrel with Travertine Finish installed with Eldorado Stone Andante Fieldledge (pg 50).

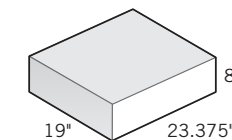


Hearth Stones & Riser Blocks



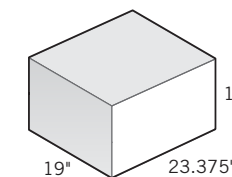
Hearth Stones

20" \times 24" \times 2" each
Available in all the Eldorado Fireplace Surround colors and finishes. Sold in sets of three with one left, center & right stone and also individually (single center stone).



8" Hearth Riser Blocks

19" \times 23.375" \times 8" each
Available in all the Eldorado Fireplace Surround colors and finishes. Sold in sets of three or individually. Finishes hearth at 10" high with hearth stones; may be trimmed to accommodate shorter heights.



16" Hearth Riser Blocks

19" \times 23.375" \times 16" each
Available in all the Eldorado Fireplace Surround colors and finishes. Sold in sets of three or individually. Finishes hearth at 18" high with hearth stones; may be trimmed to accommodate shorter heights.

The Sofia in Summer Wheat with Travertine Finish (pg. 90) shown with Hearth Stones & 8" Hearth Riser Blocks (also utilizing provided trim panels).

Eldorado Outdoor.

The Building Blocks for
Luxury Outdoor Spaces.™



There's nothing quite like enjoying the pleasures of an evening dining alfresco. Extending your living space to the outdoors is no longer just a trend, but a lifestyle worth attaining.

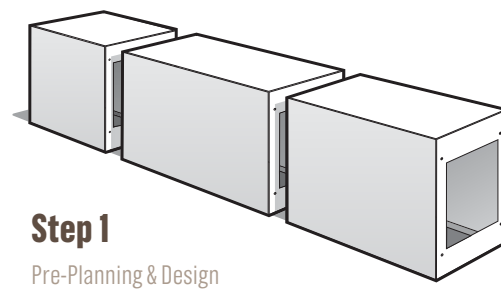


Before & after Eldorado Outdoor Cabinets (pg. 100-103) installed with Padova Fieldledge (pg. 50) using a standard grout technique.

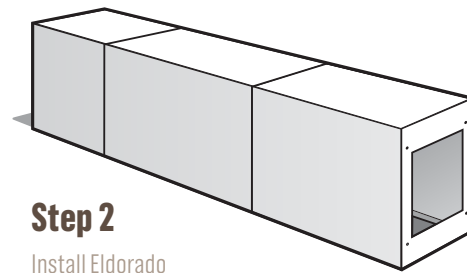
OUTDOOR LUXURY MADE SIMPLE, IN JUST 5 STEPS!

ELDORADO  OUTDOOR™

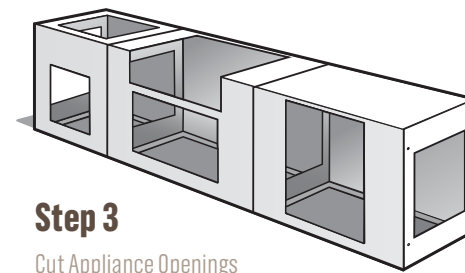
Eldorado Outdoor has redefined how to build outdoor living spaces with a collection of strong, yet lightweight building blocks. The blocks quickly assemble into custom barbecue islands, kitchen counters, fireplaces, fire pits and more—ready to be dressed with Eldorado Stone and Brick within hours.



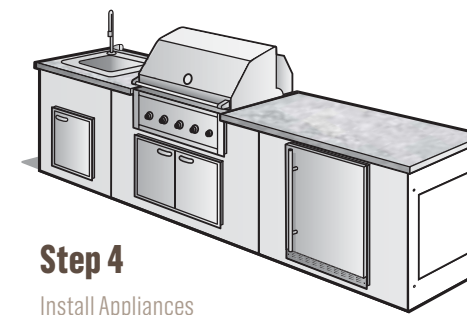
Step 1
Pre-Planning & Design



Step 2
Install Eldorado
Outdoor Cabinets



Step 3
Cut Appliance Openings



Step 4
Install Appliances
& Countertop



Step 5
Install Eldorado Stone
or Eldorado Brick

Cabinets & Accessories

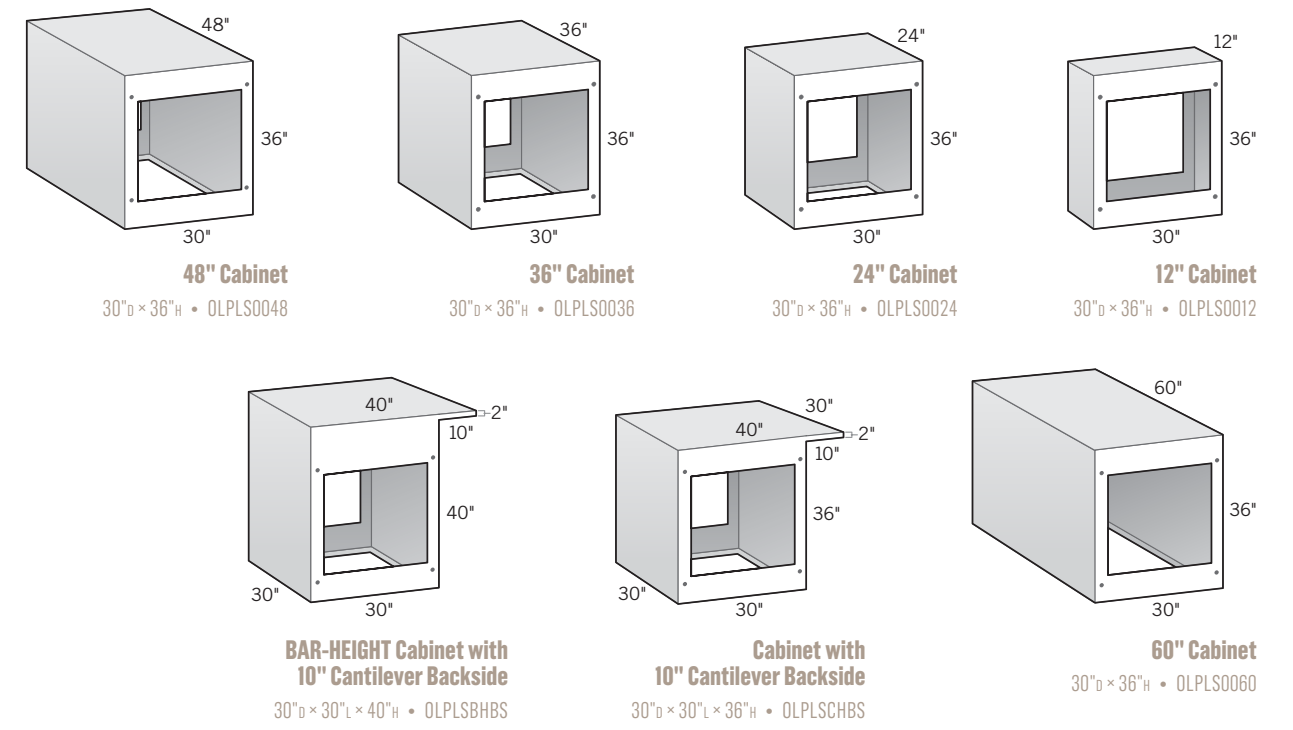


The Building Blocks. Eldorado Outdoor products quickly assemble into a virtually limitless combination of configurations. Each piece is made of glass-fiber reinforced concrete (GFRC) which can be installed on any solid flooring surface without concrete footings or rebar.

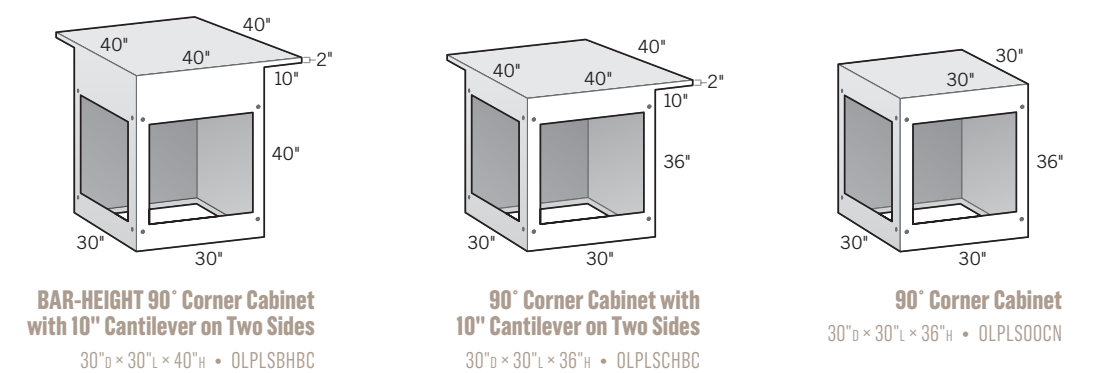
Eliminated is construction waste and additional time associated with traditional masonry block installations. Eldorado Outdoor products can be assembled in just hours; even cut-outs for custom features such as barbecues, sinks, drawers and burners can be done on-site.



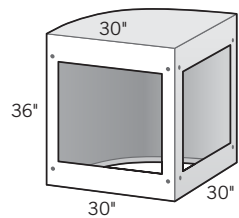
Straight (Linear) Cabinets



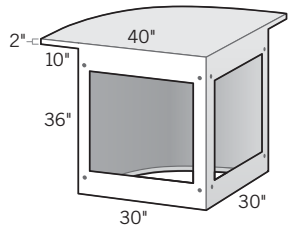
90° Corner Cabinets



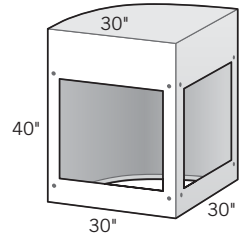
90° Radius Corner Cabinets



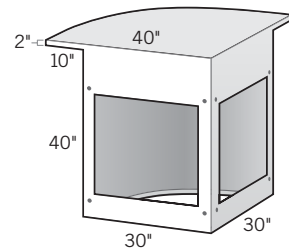
90° Radius Corner Cabinet
30" d × 30" L × 36" H • OLPLSOCHR



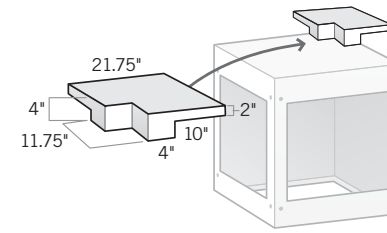
90° Radius Corner Cabinet with 10" Cantilever
30" d × 30" L × 36" H • OLPLSCHRC



BAR-HEIGHT 90° Radius Corner Cabinet
30" d × 30" L × 40" H • OLPLSOBHR

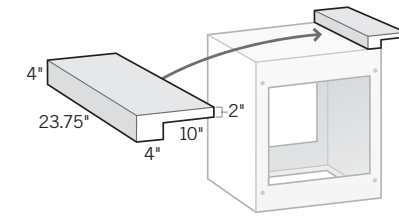


BAR-HEIGHT 90° Radius Corner Cabinet with 10" Cantilever
30" d × 30" L × 40" H • OLPLSBHRC



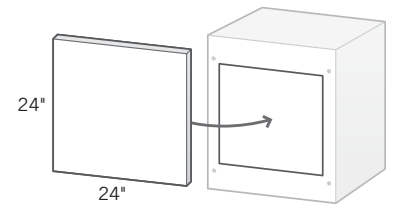
Corner Raised Backsplash
OLPLSBCRN

Creates 4" high raised corner backsplash with 10" cantilever; connects to Straight Raised Backsplash for L-shaped configurations. Requires 2 bolts for mounting (not included).



Straight Raised Backsplash
OLPLSBSTR

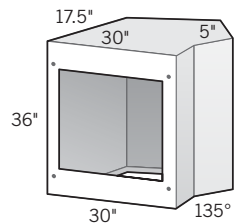
Creates 4" high raised backsplash (23.75" long) with 10" cantilever and 14" counter surface. Requires 3 bolts for mounting (not included).



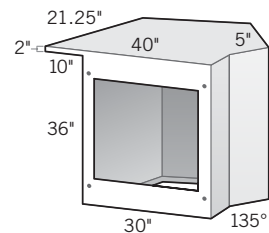
Cabinet End Cap

24" × 24" sq • OLPLSECAP
End Caps complete the installation by closing off openings on either end of assembled island.

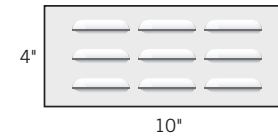
135° Corner Cabinets



135° Corner Cabinet
30" d × 36" H • OLPLSCH45

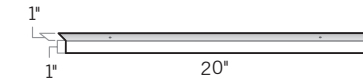


135° Corner Cabinet with 10" Cantilever
30" d × 36" H • OLPLSCC45



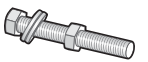
Vent
O1000VENT

Vents are recommended by many barbecue appliance manufacturers when installing gas appliances into a closed cabinet.



Appliance Bracket Set
OLPLSAB02

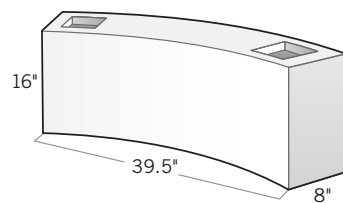
Includes 2 brackets & screws for use with drawers, doors, etc. Works with flanges to secure items in cabinet cut-outs.



Fastener Set
OLPLSF004

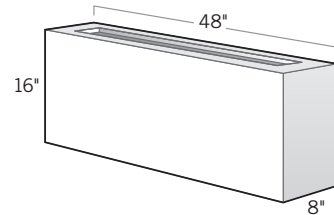
Includes 4 nuts, 4 bolts & 8 washers. One fastener set is required to secure two cabinets.

Walls & Columns



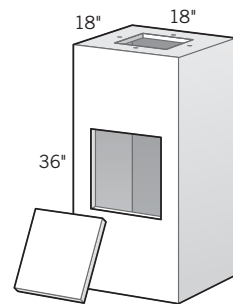
Curved Seating Wall (1/2 Circle)

8" d × 39.5" L × 16" H • OLPW81640
Curved seating wall is designed with a 51" radius from the center point to the inside edge, perfect for pairing with our round fire pit.



Straight Seating Wall

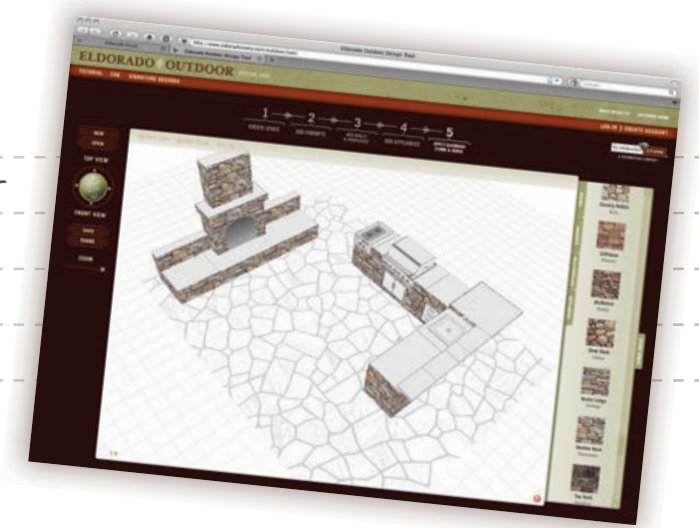
8" d × 48" L × 16" H • OLPW81648
Create seating walls in hours vs. days. Finish with Eldorado Stone & Wall Caps for an authentic masonry appearance.



Column with End Cap

18" d × 18" L × 36" H • OLPLS1836
Instantly build perfect stone or brick columns. Column ships with access panel. Designed with top and bottom flange for attaching masonry anchor or bolting.

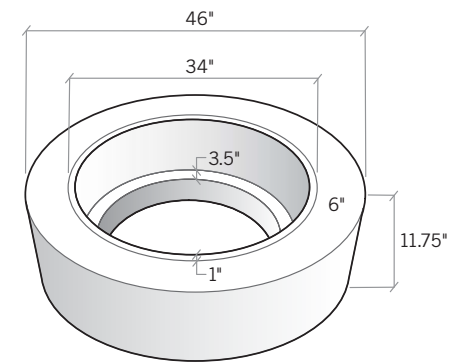
Design the ultimate outdoor retreat with the Eldorado Outdoor Design Tool. Create an outdoor kitchen, fireplace, fire pit or seating area. Visit: eldoradostone.com/outdoor/tool



Fireplaces & Fire Pits

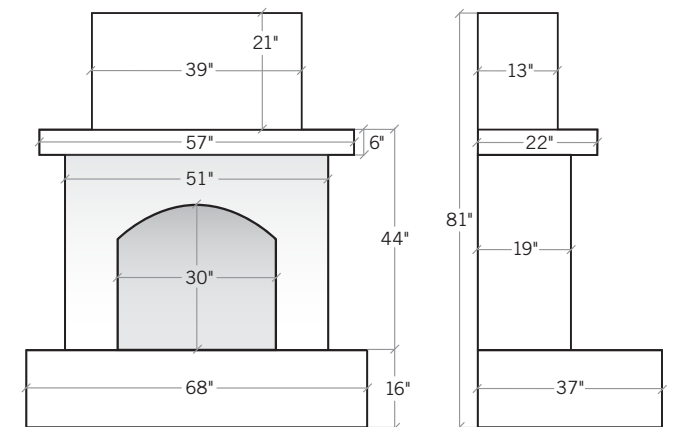


Inviting Fireside Chats. Sitting fireside in your backyard has never been easier. Choose from our factory pre-scratched Gas-Burning Fireplace and Fire Pit or our Wood-Burning Fireplace. Each Fireplace and Fire Pit are ready to be dressed with Eldorado Stone or Brick for the ultimate masonry appearance.

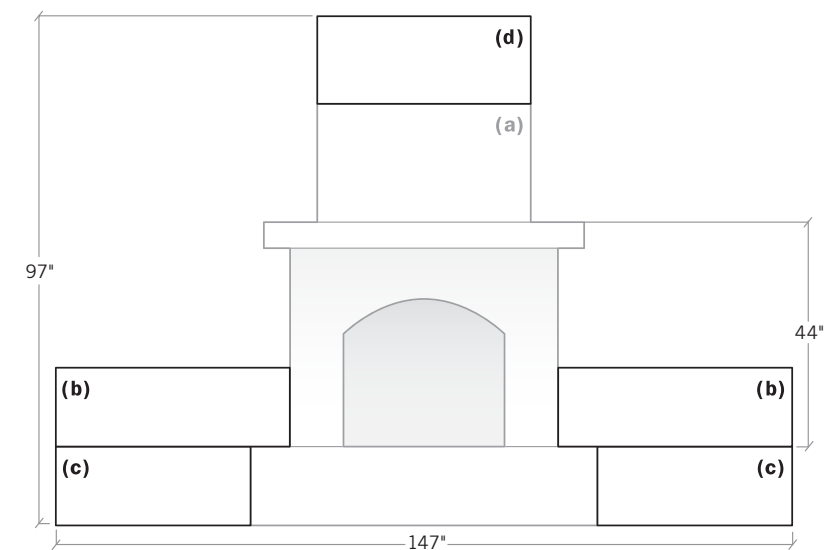


Fire Pit
46" DIAMETER x 11.75" H • OLPLSFP48

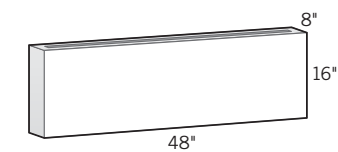
Gas-Burning Fireplace & Fire Pit



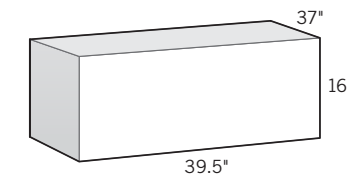
Gas-Burning Fireplace
37" D x 68" L x 81" H • OLPLSFP01



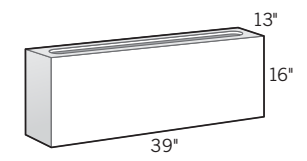
Gas-Burning Fireplace Extensions
(a) Gas-Burning Fireplace OLPLSFP01 • (b) Chimney Extension OLPLSFP02
(c) Hearth Extension OLPLSFP03 • (d) Hearth Extension Backrest OLPW81648



**Gas-Burning Fireplace
Hearth Extension Backrest**
8" D x 48" L x 16" H • OLPW81648

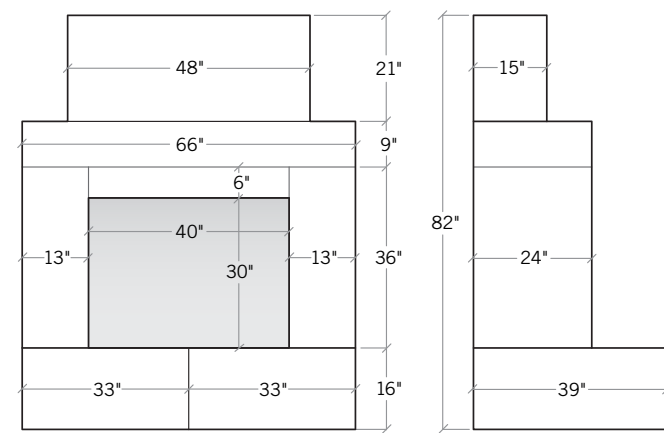


**Gas-Burning Fireplace
Hearth Extension**
37" D x 39.5" L x 16" H • OLPLSFP03

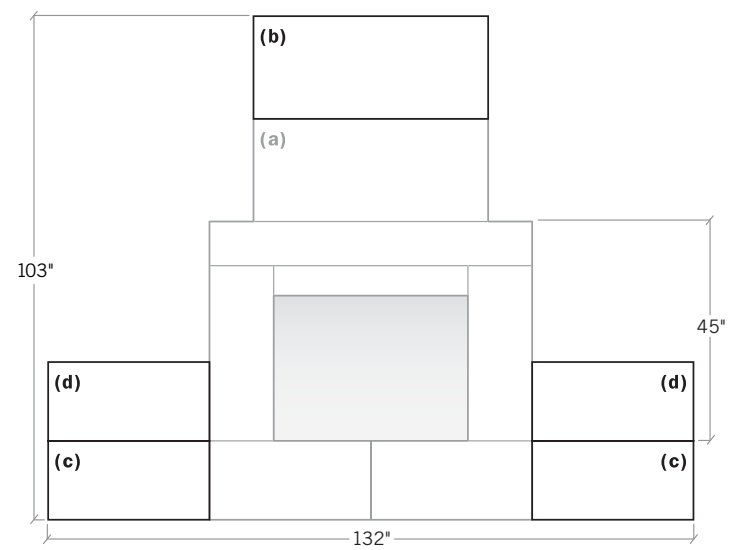


**Gas-Burning Fireplace
Chimney Extension**
13" D x 39" L x 16" H • OLPLSFP02

Wood-Burning Fireplace

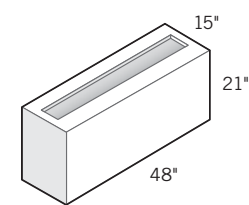


Wood-Burning Fireplace
39"D × 66"L × 82"H • OLPLSF04

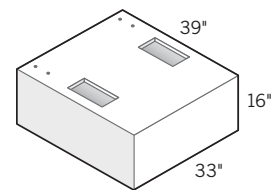


Wood-Burning Fireplace Extensions

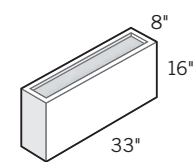
(a) Wood-Burning Fireplace OLPLSF04 • (b) Chimney Extension with Metal Flue Liner OLPLSF05
(c) Hearth Extension OLPLSF06 • (d) Hearth Extension Backrest OLPW81633



Wood-Burning Fireplace Chimney Extension (with Metal Flue Liner)
15"D × 48"L × 21"H • OLPLSF05



Wood-Burning Fireplace Hearth Extension
39"D × 33"L × 16"H • OLPLSF06



Wood-Burning Fireplace Hearth Extension Backrest
8"D × 33"L × 16"H • OLPW81633



Wood-Burning Fireplace installed with Eldorado Stone Prescott Bluffstone (pg. 46) with customized seating & wood storage.

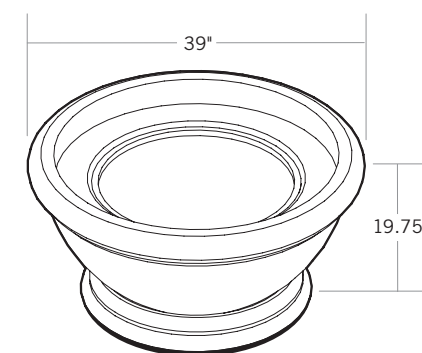
Artisan Fire Bowls



Warmth, Style & Ambiance. Eldorado Fire Bowls bring a heightened level of design and elegance to any outdoor space. Made from strong, glass-fiber reinforced concrete and hand-sanded through a four-step finishing process. Each Artisan Fire Bowl renders a true one-of-a-kind creation with subtle variations in color and texture similar to natural limestone. They're as functional as they are beautiful, incorporating a 65,000 BTU gas burner, providing ample heat on cool nights. Fire Bowls ship complete with lava rock and certified CSA components for natural gas or liquid propane. Choose from four different colors in either honed or travertine finishes.



The Marbella in Oak Barrel Travertine.



Marbella™

39" w × 19.75" h

The Marbella bowl captures the essence of the Romanesque period. Its gently rounded bull nose and elegant foundation are hand-sanded, creating the natural feel and texture of limestone. The Marbella is perfect for a variety of traditional landscape settings.

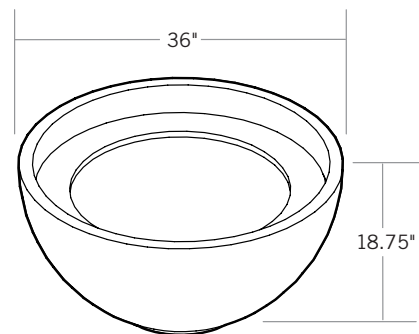


See the Marbella & Infinite live at these stunning locations. Visit the video gallery online at eldoradostone.com/artisanbowls

Infinite™

36" w x 18.75" h

As the name implies the Infinite is limitless in its design applications. The simple yet elegant shape will naturally draw attention for its style and inviting warmth. Perfect for both residential and commercial applications, Infinite can change appearance from modern to traditional by simply selecting the weathered & textured Travertine finish.



The Infinite in Aged Teak Honed.

Signature Kitchens™

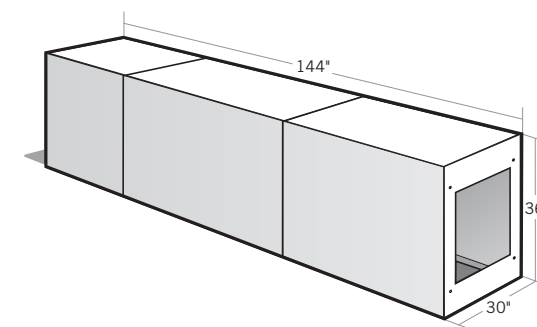


Pre-Designed, Ready to Install. Signature Kitchens allow you to realize the perfect outdoor kitchen in days vs. weeks. Each kitchen has been pre-designed to fit a variety of size and style configurations and ship complete with all necessary cabinets, bolts and end-caps. If you'd like to further simplify your order, you can select from 8 of Eldorado Stone's most popular stone profiles. Finalize your outdoor design by selecting the appliances and countertop material of your choice.

Countertops & appliances are not sold through Eldorado Outdoor.



The Metropolitan Signature Kitchen installed with Eldorado Stone **Black River Stacked Stone** (pg 57).



Metropolitan™

- Includes:**
- 1 Qty. 36" Straight Cabinet
 - 1 Qty. 48" Straight Cabinet
 - 1 Qty. 60" Straight Cabinet
 - 2 Qty. Cabinet End Caps
 - 2 Qty. Fastener Sets
 - 2 Qty. Vents

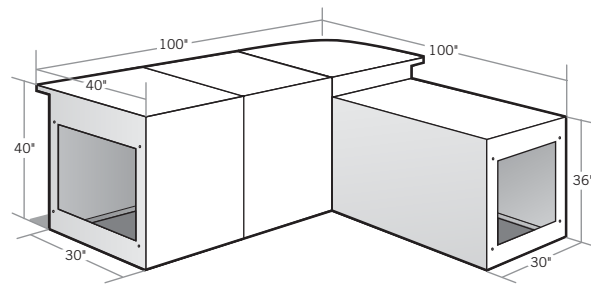


The Carolina Signature Kitchen installed with Eldorado Stone Manzanita Cliffstone (pg 47).

Carolina™

Includes:

- 1 Qty. 60" Straight Cabinet
- 1 Qty. Bar-Height 90° Radius Corner Cabinet with 10" Cantilever
- 2 Qty. Bar-Height Cabinet with 10" Cantilever
- 2 Qty. Cabinet End Caps
- 3 Qty. Fastener Sets
- 2 Qty. Vents

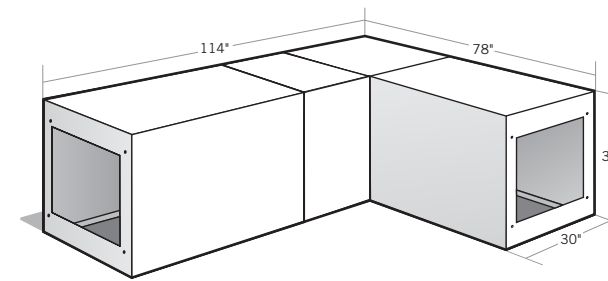


The ParkView Signature Kitchen installed with Eldorado Stone Autumn Leaf RoughCut (pg 54).

ParkView™

Includes:

- 1 Qty. 24" Straight Cabinet
- 1 Qty. 48" Straight Cabinet
- 1 Qty. 60" Straight Cabinet
- 1 Qty. 90° Corner Cabinet
- 2 Qty. Cabinet End Caps
- 3 Qty. Fastener Sets
- 2 Qty. Vents

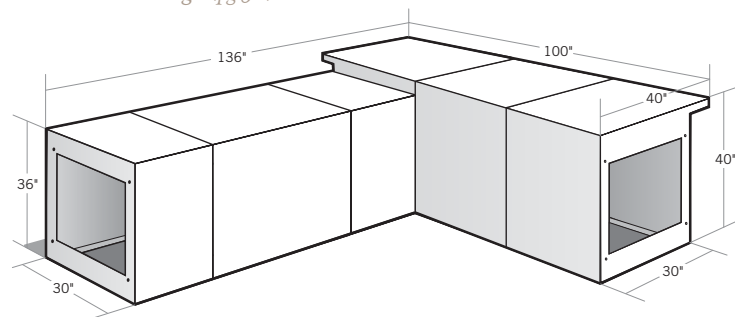


The CoastalRanch Signature Kitchen installed with Eldorado Stone Veneto Fieldledge (pg 50).

CoastalRanch™

Includes:

- 2 Qty. 24" Straight Cabinets
- 1 Qty. 48" Straight Cabinet
- 1 Qty. Bar-Height 90° Corner Cabinet with 10" Cantilever
- 2 Qty. Bar-Height Cabinet with 10" Cantilevers
- 2 Qty. Cabinet End Caps
- 5 Qty. Fastener Sets
- 2 Qty. Vents

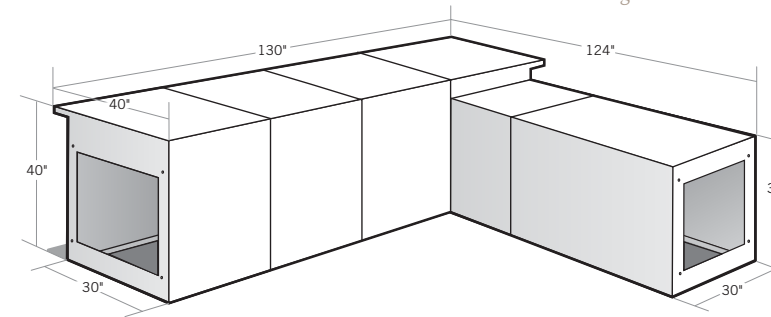


The Sierra Signature Kitchen installed with Eldorado Stone Sierra Mountain Ledge (pg 52).

Sierra™

Includes:

- 1 Qty. 24" Straight Cabinet
- 1 Qty. 60" Straight Cabinet
- 1 Qty. Bar-Height 90° Corner Cabinet with 10" Cantilever
- 3 Qty. Bar-Height Cabinet with 10" Cantilevers
- 2 Qty. Cabinet End Caps
- 5 Qty. Fastener Sets
- 2 Qty. Vents



Eldorado Profile Sizes

STONE	HEIGHT	LENGTH	THICKNESS	PAGES
Ashlar	4" - 12"	11" - 26"	.625" - 3"	45
Bluffstone	1" - 5.5"	4" - 22"	1.375" - 3.5"	46, 59
Broken Top	1.5" - 10.25"	3.25" - 21.75"	1.25" - 3.125"	69
Castle Stone	4" - 14"	5" - 17"	1.5" - 2"	59
Cliffstone	1.25" - 6"	4" - 22"	1" - 2"	47, 59, 69
Coarsed Stone	11.75"	12", 18", 24", 30"	1.5"	63
Coastal Ledge	1" - 4"	4" - 24"	1" - 2.75"	63
Coastal Reef	4" - 12"	4" - 16"	1" - 1.5"	45
Cobblestone	2.5" - 12"	4" - 21"	1.875" - 2.75"	63, 69
Country Rubble	2" - 18"	4" - 18"	1" - 2.5"	48, 59, 63
Cut Coarse Stone	3", 6", 9"	12", 18", 24"	.75" - 2.5"	45
Cypress Ridge	1.25" - 18"	4" - 24"	1" - 3.5"	48
European Ledge Single Stone	1.5"	11"	.75" - 2.125"	49
European Ledge Panel	4.5"	24"	.75" - 2.25"	49
Field Ledge	1.5" - 15"	5" - 18"	1.25" - 1.5"	50, 64
Hillstone	1" - 12"	3" - 18"	1" - 3.25"	50, 64
Ledge Cut 33	3"	12", 18", 24"	.75" - 2"	51
Limestone	2.25" - 8"	3.5" - 17"	1" - 2.5"	51, 60, 64, 69
Mountain Ledge	1" - 4"	4" - 18"	1" - 3.5"	52, 60, 65, 69
Mountain Ledge Panels	5"	8", 12", 20"	1" - 2.5"	53, 70
River Rock	1.5" - 15"	3" - 18"	2" - 3.5"	54
Rough Cut	2" - 11"	2" - 18.375"	1.5" - 2.5"	54, 61, 70
Rustic Ledge	1" - 5"	6.5" - 20"	1" - 2.5"	55, 65
Shadow Rock	2" - 10"	5" - 24"	2" - 3.5"	56, 61
Stacked Stone	4"	8", 12", 20"	.625" - 2"	57, 61, 66, 70
Top Rock	2" - 20"	5" - 24"	1" - 2.75"	55
Weather Edge	1.25" - 8"	5" - 25"	1" - 3.5"	61, 66
BRICK				
Modena Brick	2.5"	8"	.75" - .875"	78
Roma Brick	1.5" - 2"	9" - 10.25"	1.125" - 1.25"	78
Tundra Brick	2.5"	7.875"	.875"	79
Via Brick	1.25" - 1.75"	7" - 7.25"	.875"	79

* These are nominal ranges. Actual sizes may vary slightly.



Because Eldorado Stone replicates natural stone, variations should, and can be expected. Even though colors in this brochure are as close to the actual stone as possible, photographic and printing techniques — and actual viewing conditions — can alter perception of color. It is recommended to obtain a sample of Eldorado Stone before placing an order.

If you would like more information on prices, availability of stone, the name of your local distributor, or answers to any questions not covered in this brochure, please contact us. We would be happy to assist you with your stone building plans. Detailed installation instructions, specifications, technical information and test data is available upon request.

800.925.1491 eldoradostone.com



A HEADWATERS COMPANY